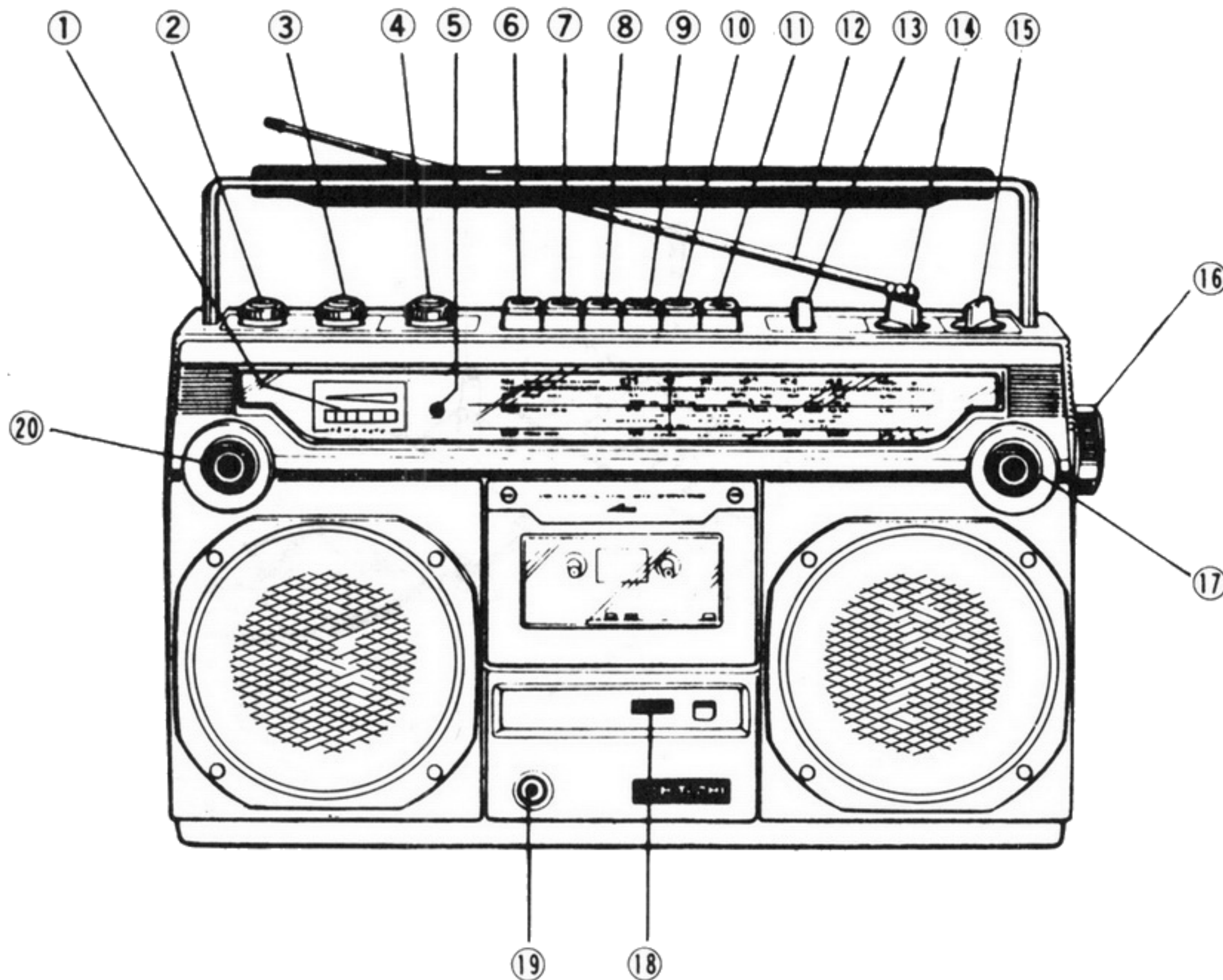


SERVICE MANUAL

No. 1334



KEY TO ILLUSTRATIONS

- ① LEVEL INDICATOR
- ② VOLUME CONTROL
- ③ BALANCE CONTROL
- ④ TONE CONTROL
- ⑤ FM STEREO INDICATOR
- ⑥ PAUSE BUTTON
- ⑦ FAST FORWARD/CUE BUTTON
- ⑧ REWIND/REVIEW BUTTON
- ⑨ PLAYBACK BUTTON
- ⑩ RECORD BUTTON
- ⑪ STOP/EJECT BUTTON
- ⑫ TELESCOPIC ANTENNA (AERIAL)
- ⑬ MODE SWITCH
- ⑭ FUNCTION SELECTOR
- ⑮ BAND SELECTOR
- ⑯ TUNING CONTROL
- ⑰ BUILT-IN MICROPHONE (RIGHT)
- ⑱ TAPE COUNTER
- ⑲ HEADPHONE SOCKET
- ⑳ BUILT-IN MICROPHONE (LEFT)

SPECIFICATIONS

GENERAL SECTION

Semi-conductors:	IC's 8 Transistors: 11 Diodes: 11 Vari-cap: 1 LED: 6
Power (Mains) Supply:	AC: 220V, 50 Hz (For E) AC: 240V, 50 Hz [For E (BS)] DC: 9V (IEC R20 × 6 or equivalent)
Power (Mains) Consumption:	15W
Power output:	2.0W/CH (T.H.D. 10%) 3.0W/CH (Max.)
Speaker:	100mm 3.2 ohms × 2
Dimensions:	250(H) × 428(W) × 128(D)mm
Weight:	4.0 kg (with batteries)

TUNER SECTION

Circuit System:	FM/SW/MW/LW 4-band superheterodyne
Tuning Range:	FM : 87.5 to 108 MHz SW : 6 to 18 MHz MW : 530 to 1605 kHz LW : 150 to 350 kHz
Sensitivity:	FM : 10 dB (pra.) 5 dB (max.) SW : 25 dB (pra.) 18 dB (max.) LW : 54 dB (pra.) 40 dB (max.) MW : 48 dB (pra.) 35 dB (max.)
Intermediate Frequency:	FM : 10.7 MHz SW/MW/LW: 465 kHz

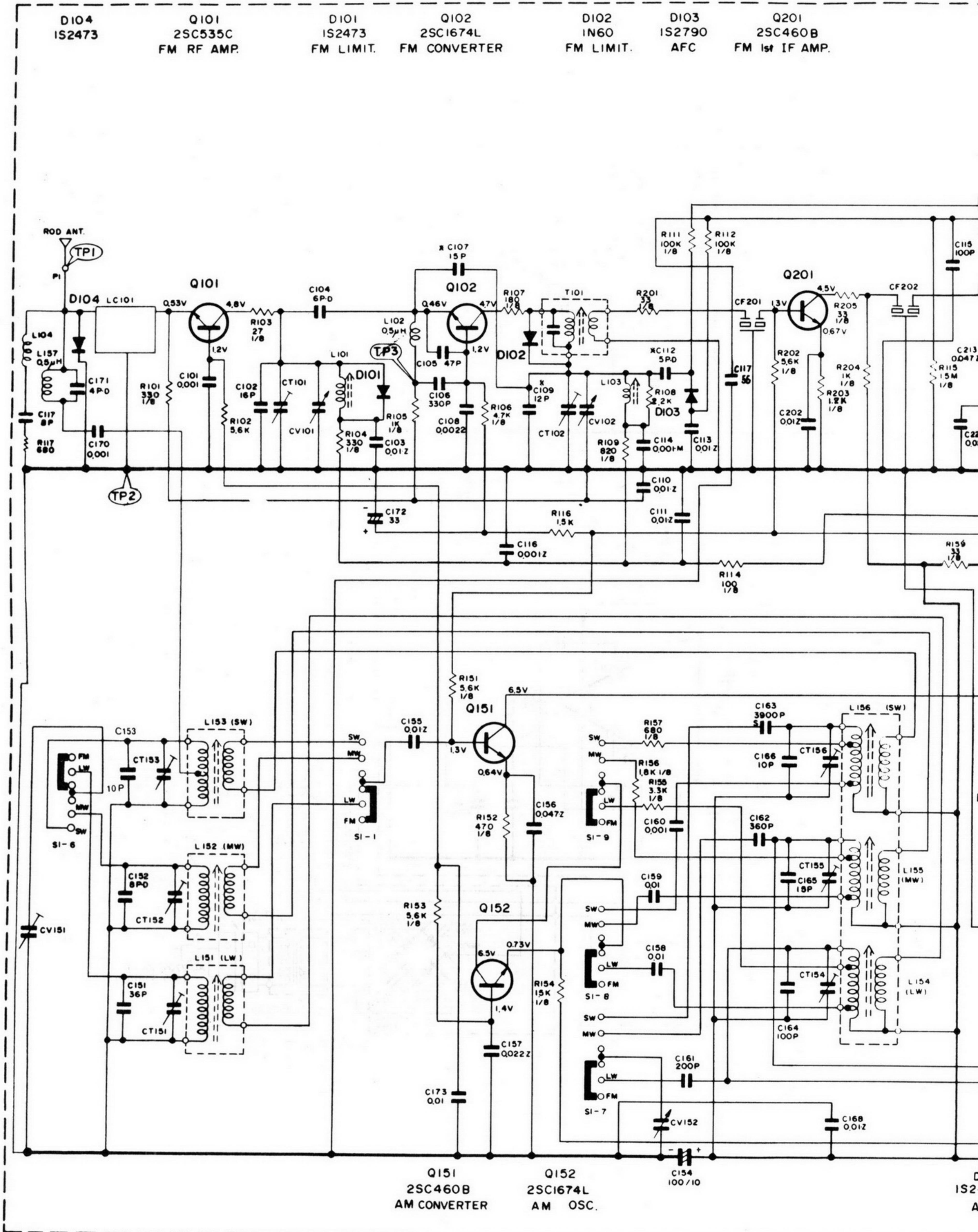
Antennas (Aerials):

FM/SW: Telescopic antenna (aerial)
MW/LW: Built-in ferrite-core antenna (aerial)

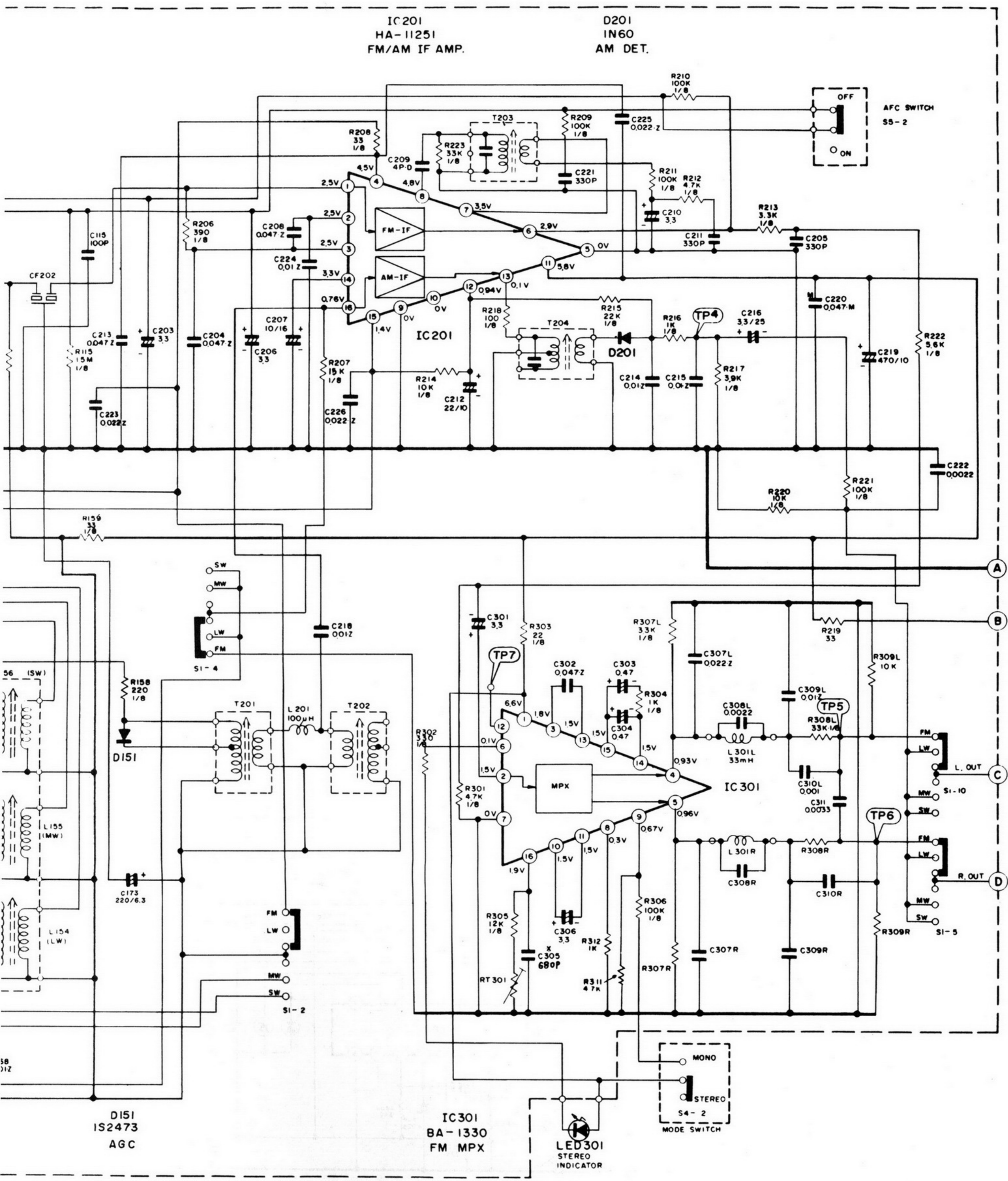
TAPE RECORDER

Tape:	Cassette tape (C-30, 60, 90)
Tape Speed:	4.75 cm/s
Recording System and Bias Frequency:	AC bias, 29 kHz
Erasing System:	Quasi-AC erase
Track System:	4 track 2 channel
Frequency Response:	50 to 10000 Hz
S/N (Signal to Noise Ratio):	45 dB
Wow and Flutter:	0.15% (WRMS)
Cross Talk:	40 dB
Erase Ratio:	60 dB
Input Sensitivity and Impedance:	Microphone: -55 dB, 500 ohms Record/playback (DIN): 100mV, 50K ohms
Output Level and Impedance:	Record/playback (DIN): 400mV, 6K ohms Headphone: 60 ohms Ext. speaker: 3.2 ohms 2%
Distortion:	
Fast Forward or Rewinding Time:	120 sec. (Using C-60)
Motor:	DC motor

SCHMATIC DIAGRAM (Tuner Section)

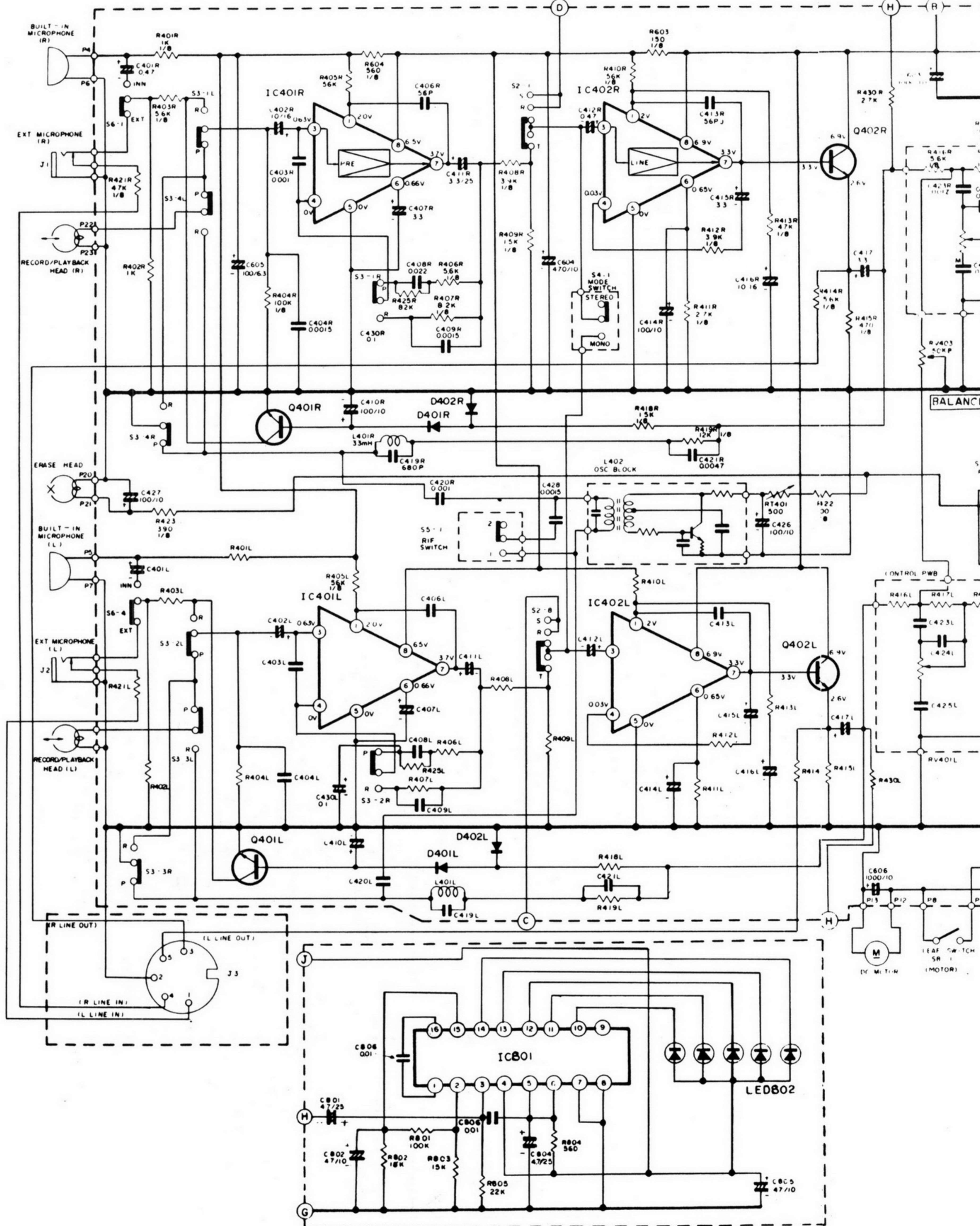


,E(BS) TRK-8005E,E(BS)



SCHMATIC DIAGRAM (Tape Recorder/AF/Power Section)

- IC 401L,R BA-340 PRE AMP
- Q401L,R 2SC1740R ALC
- D401L,R IN60 ALC
- D402L,R 1S2473 ALC
- IC 402L,R HA-1406 LINE AMP
- Q402L,R 2SC1740R LINE AMP



IC1740R
LINE AMP

IC501L,R
LA-4112
POWER AMP

